

Aquia® III Close Coupled Toilet, 1.6GPF & 0.9GPF

FEATURES

- Dual-Max® flushing system
- Extended skirt
- Universal Height
- Close coupled elongated front bowl and tank set, less seat
- Chrome push-button style flush option

MODELS

- CST464MF#01

COMPONENTS

- CT464F - Elongated Front Bowl
- ST464M - Tank and Cover only
- SS204 SoftClose® seat (sold separately)
- SS114 SoftClose® seat (sold separately)

COLORS/FINISHES

- Standard
#01 Cotton

PRODUCT SPECIFICATION

The two-piece low consumption Dual-Max flushing system toilet shall be 1.6GPF/0.9GPF. Toilet shall have a high-profile tank, elongated front bowl and chrome push-button type trip lever. Toilet shall be TOTO Model CST464MF#01.



DUALMAX®
FLUSHING SYSTEM BY TOTO

CODES/STANDARDS

- Meets and exceeds ASME A112.19.2/CSA B45.1, ASME A112.19.14
- Certifications: IAPMO(cUPC®), EPA WaterSensesm, State of Massachusetts, and others
- Code compliance: UPC, IPC, NSPC, NPC Canada, and others
- Legislative compliance: California Green Building Code, City of Los Angeles Water Efficiency Ordinance, and others



CST464MF

Aquia® III Close Coupled Toilet, 1.6GPF & 0.9 GPF

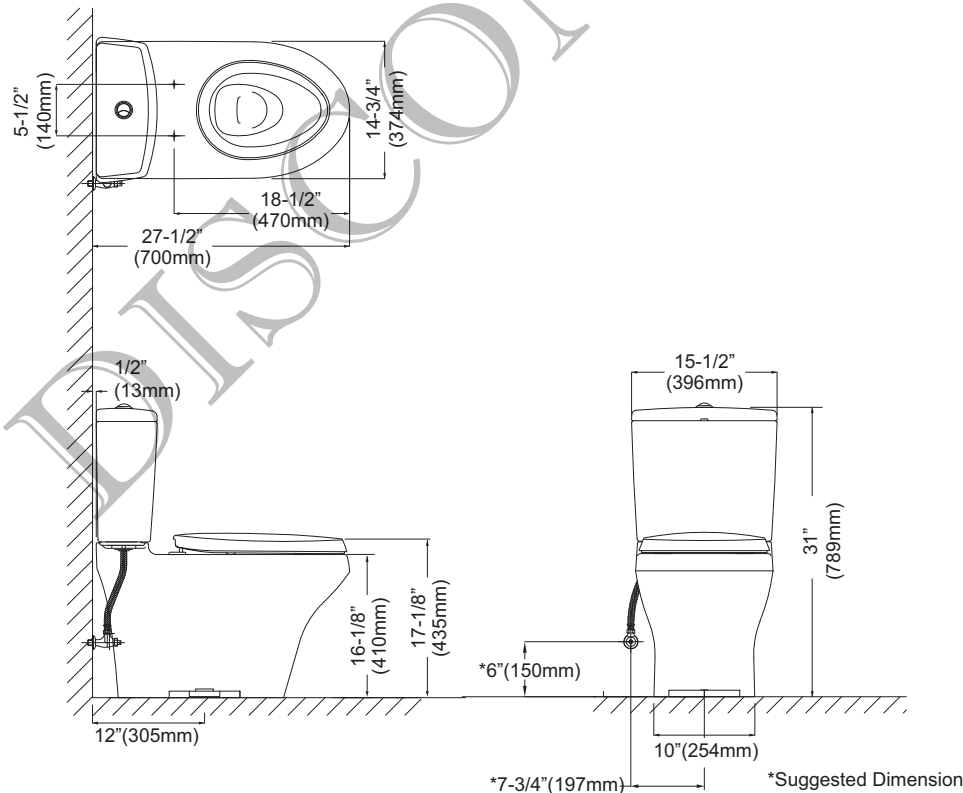
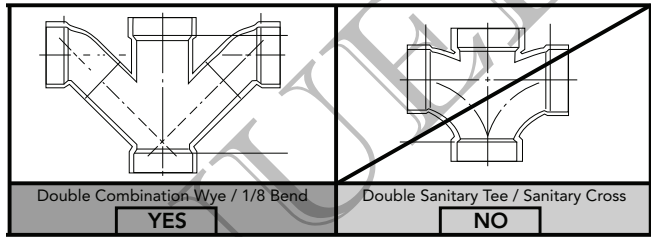
SPECIFICATIONS

- Water Use 1.6 GPF/0.9GPF (6.0 LPF/3.4LPF)
- Flush System Dual-Max®
- Min. Water Pressure 8 psi (static)
- Water Surface 6" x 4-1/2"
- Trap Diameter 2-1/8"
- Rough-in 12"
- Trap Seal 2-1/8"
- Warranty One Year Limited Warranty
- Material Vitreous china
- Shipping Weight CT464F - 78lbs
ST464M - 30lbs
- Shipping Dimensions CT464F 28-1/2"L x 15"W x 18"H

ST464M 16"L x 7"W x 17"H

INSTALLATION NOTES

Back-to-Back Toilet Installations:
TOTO recommends the use of a nationally listed, double sanitary tee-wye only, in vertical waste stacks, in accordance with the stipulations noted in the majority of nationally recognized plumbing codes.



TOTO

These dimensions and specifications are subject to change without notice